

ATTENTION: PLEASE READ

Improper handling may result in injury

SHIPPING AND HANDLING GUIDELINES

SINGLE-USE

**Thermal Shipping Container
Refrigerated**

**The Single-Use Thermal Shipping Container is NOT
to be used for temporary storage of the vaccine.**

Current as of 16 December 2024. For the most up-to-date brochure, visit <https://www.comirnatyhcp.com>

TABLE OF CONTENTS

CONNECT WITH US	3
GENERAL INFORMATION	4
HANDLING	4
CONTENTS AND PACKAGING	5
UNPACKING THE THERMAL SHIPPING CONTAINER	6-8

CONNECT WITH US

For general questions, / or call the telephone number provided below visit <https://www.comirnatyhcp.com>.

www.comirnatyhcp.com



1-877-VAX-C019
(1-877-829-2619)

GENERAL INFORMATION

This guide details user processes and procedures that must be followed upon receiving the COVID-19 vaccines from BioNTech and Pfizer.

HANDLING

Use caution when lifting the thermal shipping container, as it may be heavy. Depending on the amount of vaccine ordered, the thermal shipping container will vary in weight. Do not place anything on top of the thermal shipping container.

Contact Pfizer Customer Service at 1-800-666-7248 immediately to communicate any issues.

Do not open the cartons or remove prefilled syringes until you are ready for use.

Visit <https://www.comirnatyhcp.com> for further information.

For additional information about specific temperature requirements, please go to <https://www.comirnatyhcp.com>.

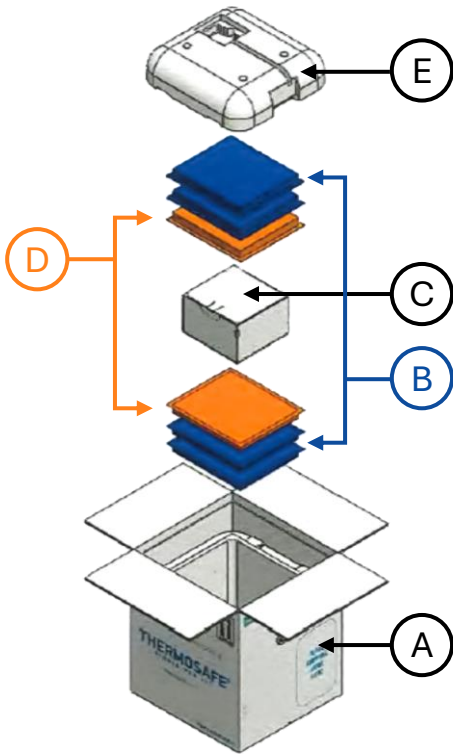
CAUTION: In the event of syringe breakage, damage, or leakage, to prevent cuts and exposure to the product, do not handle the syringe with bare hands. Wear protective gloves and dispose of the pieces in a medical sharps container using forceps, tongs, or other appropriate tools.

CONTENTS AND PACKAGING

There are multiple types of thermal shipping containers and carton sizes, all with similar components.

The example shown below is for illustrative purposes only and may not exactly replicate the thermal shipping container you receive.

Be sure to read all instructions that are included with the thermal shipping container and its components.



THERMOSAFE/SONOCO
ITEM
E. Foam Lid
D. Phase Change Material (PCM) refrigerants
C. Corepack/Payload Box
B. Water Based refrigerants Note: fiberboard may be found between layers of refrigerants
A. Shipper

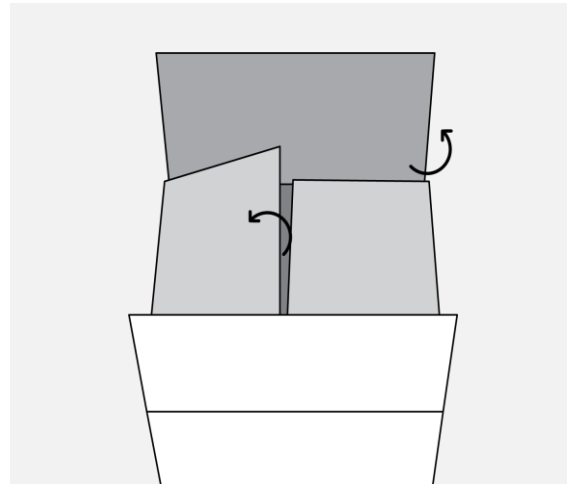
CAUTION: Thermal shipping container you receive may vary in weight & should be opened on the floor as it may be heavy.

Ensure Authenticity—Help Prevent Counterfeiting: Ensure the safety of the product by limiting access to only authorized personnel. The location they are stored in must be secure and locked when not in use. To prevent counterfeits, discard prefilled syringes in sharps containers and empty cartons as medical waste or deface or safely crush all materials so they cannot be reused. The vaccine can only be administered by licensed healthcare professionals, or other individuals that are approved vaccinators. Individual doses are not for sale.

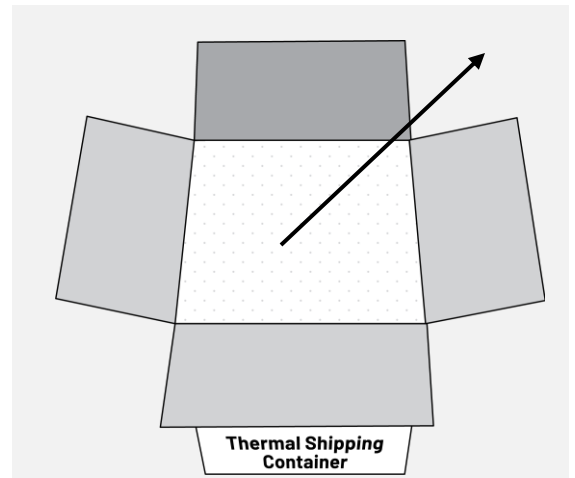
UNPACKING THE THERMAL SHIPPING CONTAINER

Step Instructions

- 1 First, break the seal to open the thermal shipping container.

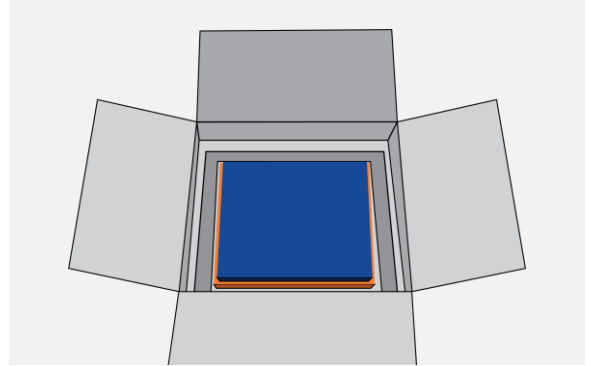


- 2 When you open the thermal shipping container, you will see a **removable foam lid (G)**.



UNPACKING THE THERMAL SHIPPING CONTAINER

- 3** Open the foam lid (G) to remove all refrigerants and corrugated fiberboard (if applicable)



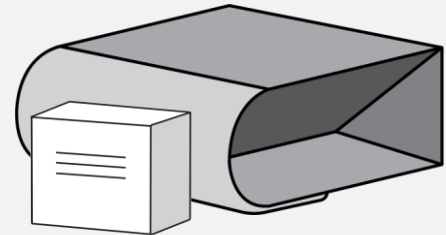
Please note that the bag is not a storage option and does not provide cold-chain protection.

- 4** The Payload box (D) can be found below the refrigerants. The Payload box (D) holds the product Carton

Inside the payload box (D), the carton may not be visible at first glance because it may be wrapped in a bag.

Carefully remove the carton.

In some cases, the compartment holding the carton is affixed to the inside of the thermal shipping container and should not be removed when accessing or removing the carton.



- 5** You must immediately store the vaccine product at 2°C to 8°C (35°F to 46°F).

Store glass prefilled syringes at 2°C to 8°C (35°F to 46°F) until the expiration date printed on the carton and syringe labels.

DO NOT FREEZE.

The total time out of refrigeration (at temperatures between 8°C and 25°C (46°F and 77°F) must not exceed 12 hours.



NOTE: The thermal shipping container should not be used as temporary storage.

DISPOSAL OF THERMAL SHIPPING CONTAINER

The Single-Use Thermal Shipping Container should be disposed of at your facility. To dispose of the Single-Use Thermal Shipping Container, please recycle the outer cardboard box and inner cardboard components. The remaining foam box and lid may be recycled or routed to landfill per local and state regulations.

In the US, issues with the shipment should be immediately communicated to

Pfizer Customer Service at 1-800-666-7248.

IMPORTANT NOTE: Do not open the product cartons or remove product until you are ready for use.

NOTE: Review the Product Safety Data Sheets: <https://safetydatasheets.pfizer.com>.

NOTE: The thermal shipping container should not be used as temporary storage.

Visit <https://www.comirnatyhcp.com> for further information.

For additional information about specific temperature requirements, please go to <https://www.comirnatyhcp.com>

CAUTION: In the event of syringe breakage, damage, or leakage, to prevent cuts and exposure to the product, do not handle the syringe with bare hands. Wear protective gloves and dispose of the pieces in a medical sharps container using forceps, tongs, or other appropriate tools.

Ensure Authenticity—Help Prevent Counterfeiting: Ensure the safety of the product by limiting access to only authorized personnel. The location they are stored in must be secure and locked when not in use. To prevent counterfeits, discard prefilled syringes in sharps containers and empty cartons as medical waste or deface or safely crush all materials so they cannot be reused. The vaccine can only be administered by licensed healthcare professionals, or other individuals that are approved vaccinators. Individual doses are not for sale.

